

# GRAPPLES



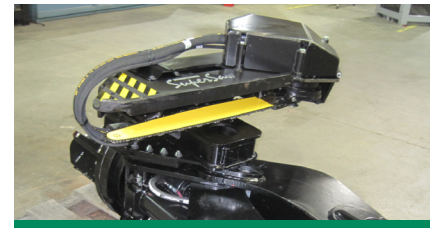
## TAPERED WEDGE.

The Weiler 4548TW and 5055TW (tapered wedge) jaw design makes it easy to grab trees from a pile and aggressively grips trees for delimiting. The tapered jaw is also widely used for stripping vines from logs.



## STRAIGHT NARROW.

The Weiler 4042SN, 4548SN and 5055SN (straight narrow) jaw design allows for easy log handling in loading and mill yard applications. The wider jaw reduces log splits and provides more surface area for smooth operation.



## GRAPPLE SAW.

The 4548 and 5055 series grapples can be equipped with a grapple saw or only a 3 port swivel to make them grapple saw ready. The grapple saw features a 3/4" chain and 35" cut capacity.



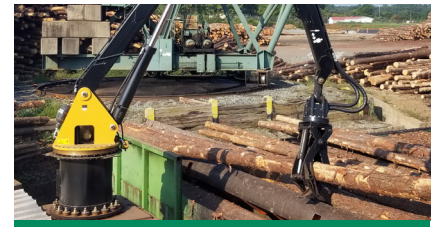
## SOLID WASTE.

Available for the 2124 A-frame loader and K161 are 2 different solid waste grapples designed for picking up miscellaneous waste and storm debris. These grapples are a robust simple design with 270 degree limited rotation.



## PULP GRAPPLE.

A 33P pulpwood grapple is available for the 2124 designed for handling cut to length pulpwood logs. Jaw-tips butt together when closed to maintain uniform carrying capacity from one pick to the next.

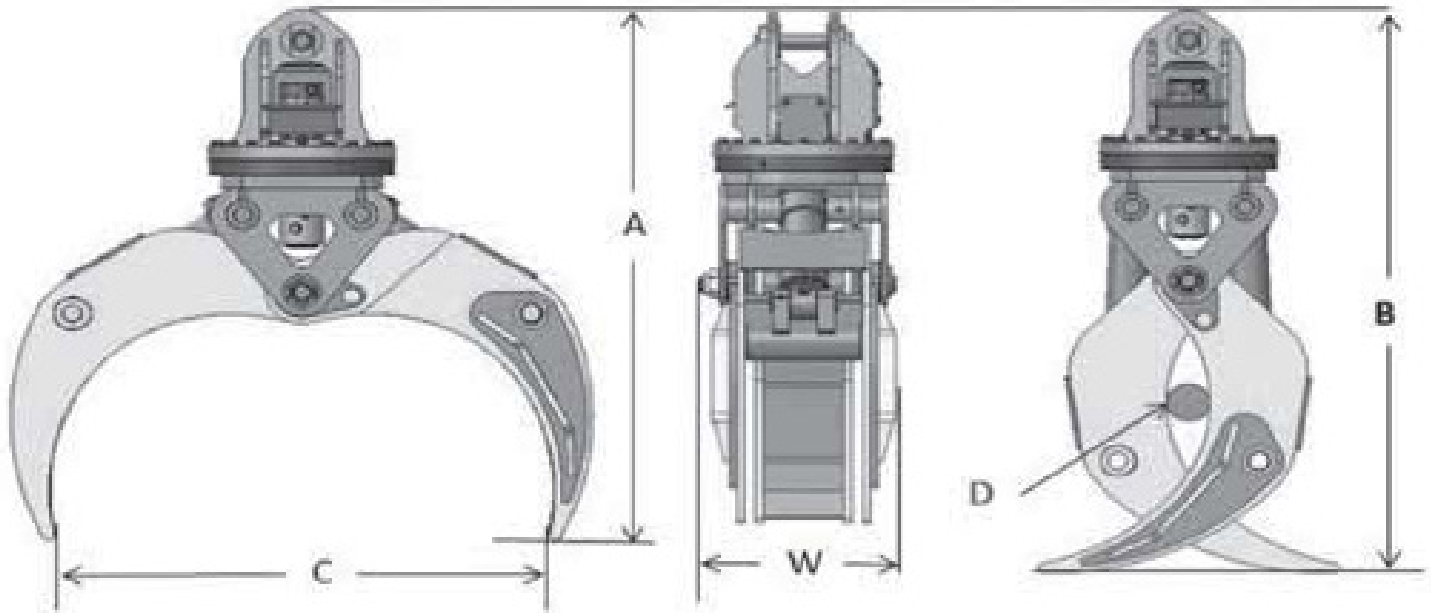


## APPLICATIONS.

The 4548 and 5055 are designed for loading/delimiting and for mill yard applications ideal for the K560 thru K860 loaders. The 4042SN-R25 is ideally matched for the K261 and K161 stationary knucklebooms. The 4042SN-R18, 33P, 20SW, and 42SW are a great fit for the 2124 A-frame.

# GRAPPLE SPECIFICATIONS

	20SW		42SW		33P-R18		4042SN-R18		4042SN-R25		4548TW/SN-R50		5055TW/SN-R50	
<b>Rotation</b>	270 degree (NC)		270 degree (NC)		360 degrees		360 degrees		360 degrees		360 degrees		360 degrees	
<b>Weight (w/boom hoses)</b>	628 lb	285 kg	1020 lb	463 kg	783 lb	355 kg	765 lb	347 kg	930	422 kg	1,908 lb	865 kg	1,957 lb	888 kg
<b>Width (W)</b>	20.5"	521 mm	42.0"	1067 mm	20.0"	508 mm	16.5"	419 mm	16.5"	419 mm	22.3"	566 mm	22.3"	566 mm
<b>Height (A) (open tongs)</b>	42.0"	1067 mm	38.0"	965 mm	35.6"	904 mm	53.3"	1354 mm	54.5"	1384 mm	66.3"	1684 mm	68.0"	1727 mm
<b>Height (B) (closed tongs)</b>	52.5"	1334 mm	50.0"	1270 mm	54.5"	1384 mm	58.5"	1486 mm	60.0"	1524 mm	72.5"	1842 mm	75.2"	1910 mm
<b>Maximum Opening (C)</b>	57.0"	1448 mm	58.8"	1494 mm	73.0"	1854 mm	42.5"	1080 mm	42.5"	1080 mm	47.9"	1217 mm	54.6"	1387 mm
<b>Minimum Opening (D)</b>	26.5"	673 mm	27.5"	699 mm	31.5"	800 mm	4.0"	102 mm	4.0"	102 mm	4.5"	114 mm	5.0"	127 mm



\*Grapple drawing shown for reference only. Actual appearance of different grapple models will vary.

# GRAPPLE MACHINE GUIDE

	20SW	42SW	33P-R18	4042SN-R18	4042SN-R25	4548TW/SN-R50	5055TW/SN-R50
2124 A-frame	█						
K161	█						
K261					█		
K560						█	
K561						█	
K562						█	
K660						█	
K760						█	
K762						█	
K860						█	

## SALES AND SERVICE

Sold and serviced exclusively through Weiler Forestry dealers worldwide

[WEILERFORESTRY.COM](http://WEILERFORESTRY.COM)

## WARRANTY

12 months standard, extended warranty available

Materials and specifications are subject to change without notice. Featured machines and photos may include optional equipment. All rights reserved.

GRAPPLES, SS (3-2022)